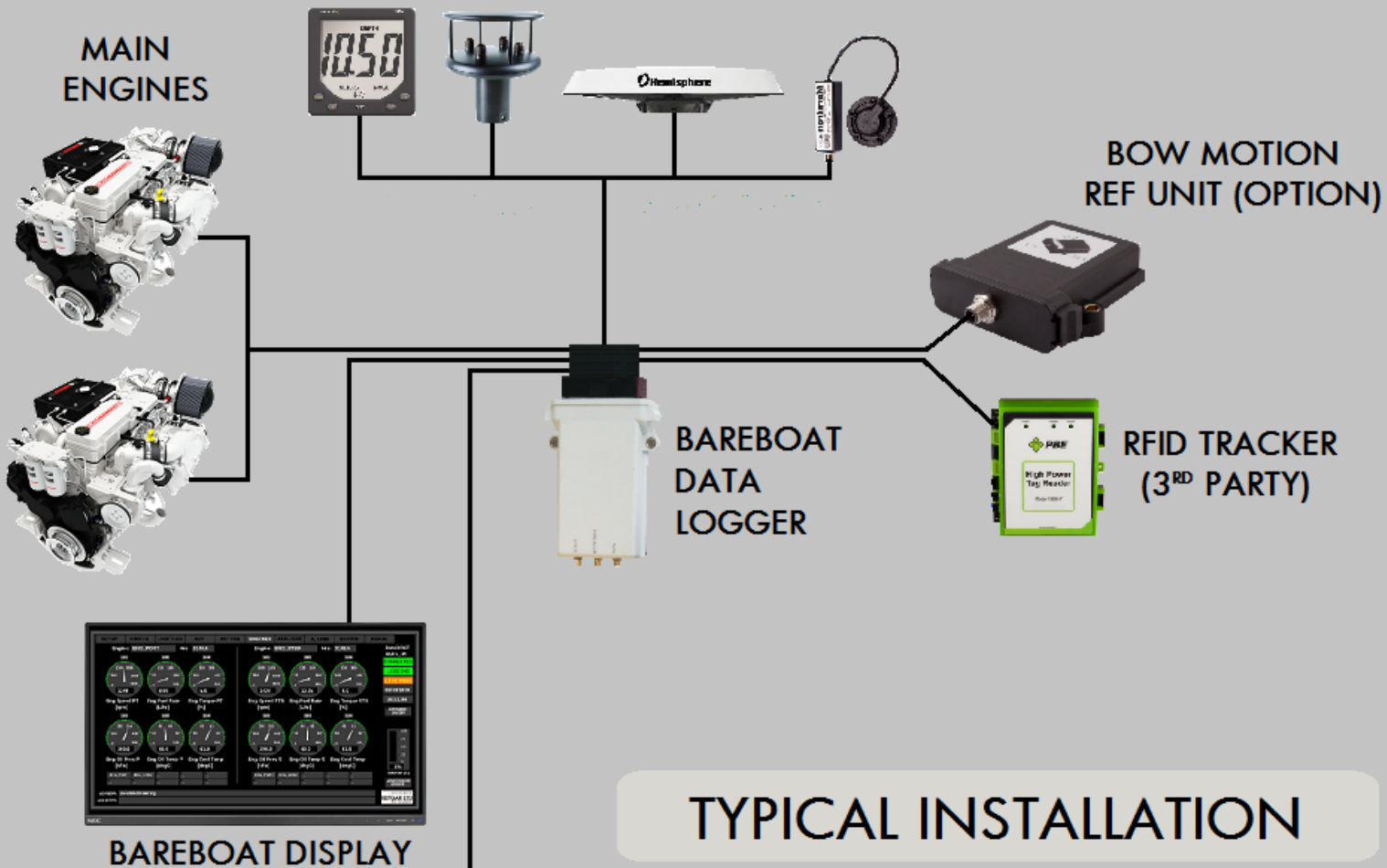


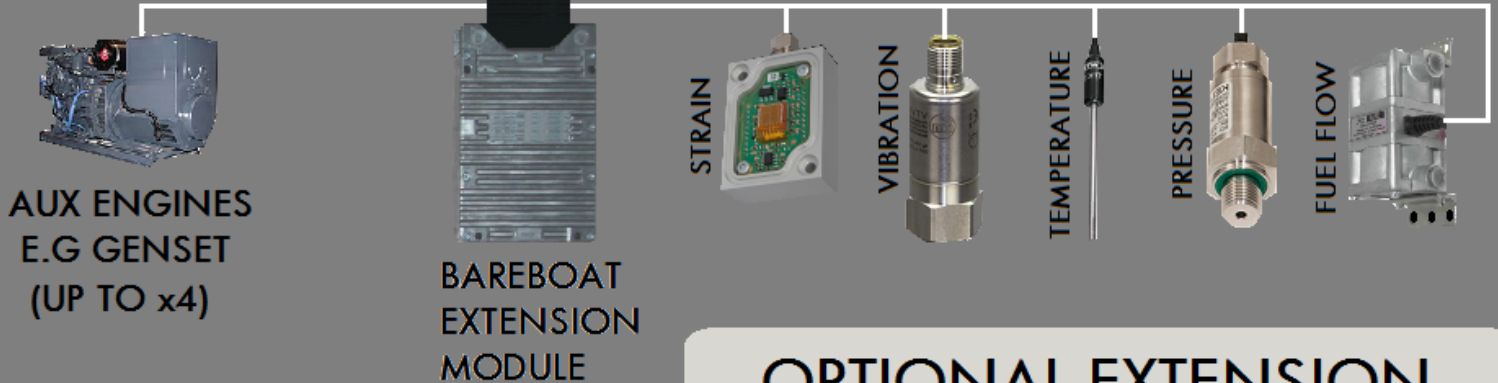


# BareFLEET Technical Specification

## NAVIGATION / BUNKER INSTRUMENTATION



## ANALOGUE SENSORS



## VESSEL MEASUREMENTS

ENGINES	Up to 6 Engines on J1939, NMEA2000 or Analogue
GEARBOXES	Up to 6 Gearboxes on J1939, NMEA2000 or Analogue
GENSETS	Up to 6 Gensets on J1939, NMEA2000 or Analogue
HYDRAULIC POWERPACKS	Up to 6 HPP's on J1939, NMEA2000 or Analogue
NAVIGATION DATA	NMEA2000, NMEA0183 plus built in GPS (standard)
BUNKER LEVELS	NMEA2000, NMEA0183 or Analogue
WIND & WEATHER	NMEA2000, NMEA0183
MOTION & IMPACT	Built in heave, pitch, roll + impact sensing. External bow motion option
RFID TRACKING SYSTEMS	Ethernet, RS232/422
CUSTOM SENSORS	RS232/422, J1939, Analogue 0-32V, 0-20mA, Frequency, RTD
LOCAL BAREFLEET DISPLAY	Ethernet, WiFi

## DATA RECORDING

DATA LOGGED ON VESSEL	10Hz max log rate to hard drive, deletes oldest files to free space
DATA RELAYED TO SHORE	Values recorded every 5 secs -> 2 mins (configurable)
HARD DISK	1GB memory

## COMMUNICATIONS

GSM	Built in 2G/3G with dedicated SIM plus external antenna (standard)
Satellite	External satellite antenna in combination with GSM (option)
Vessel Internet	Use vessel's existing internet connection (option)

## VIEWING DATA

REPORTING	Concise log style reports issued daily, weekly or monthly
WEB PORTAL	View live and historic data from any internet connected device
DATA ANALYSER	Analyse high frequency historic data, eg RPM vs fuel burn rate
ON BOARD LIVE DISPLAY	View live data anywhere on vessel via WiFi / Ethernet

## REPORTING

VESSEL DAILY REPORTS	Comprehensive track plot, fuel efficiency, alarms, health, daily log
FLEET DAILY REPORTS	Fleet overview, plus summary sheet for each vessel
MANAGEMENT REPORTS	Long term analytics of fleet utilisation, health and efficiency

## GENERAL

Power	9 - 32V
Dimensions	Logging unit 180 x 140 x 35 mm, extension unit 250 x 200 x 50mm